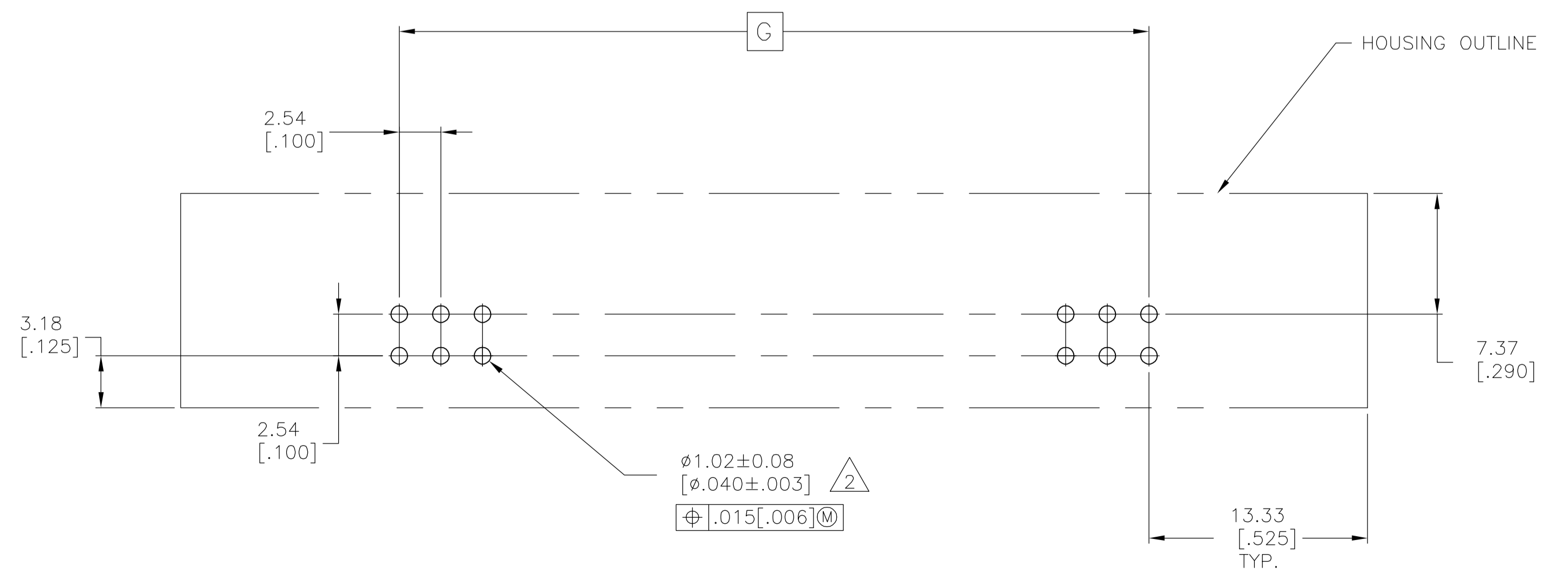


SECTION Z-Z

- 1 FINISH OVER INDICATED AREA: 0.000762 [.000030] MIN GOLD OVER 0.00127 [.000050] NICKEL. MEETS EIA-364-53 POROSITY, MEAS. AREA .130 FROM TIP.
- 2 FINISH OVER INDICATED AREA: 0.00254 [.000100]-0.00635 [.000250] BRIGHT TIN-LEAD OVER 0.00127 [.000050] NICKEL.
- 3 DATE CODE EITHER SIDE, WITH COUNTRY OF ORIGIN IF APPLICABLE.
- 4 "VRM Header" MOLDED INTO BOTH SIDES OF HOUSING. WITH MATTE BACKGROUND.
- 5 MATERIAL: GLASS FILLED VO THERMOPLASTIC
COLOR: OFF WHITE, SIMILAR TO PANTONE (R) 4545C
- 6. RESTRICTED TO INTEL VRM PROGRAM
- 7 PRELIMINARY PART - NOT RELEASED FOR PRODUCTION.
- 8 FINISH OVER INDICATED AREA: 0.00254-0.00635 [.000100-.000250] MATTE TIN OVER 0.00127 [.000050] NICKEL
- 9 ROHS 2002/95/EC COMPLIANT



RECOMMENDED PCB HOLE LAYOUT

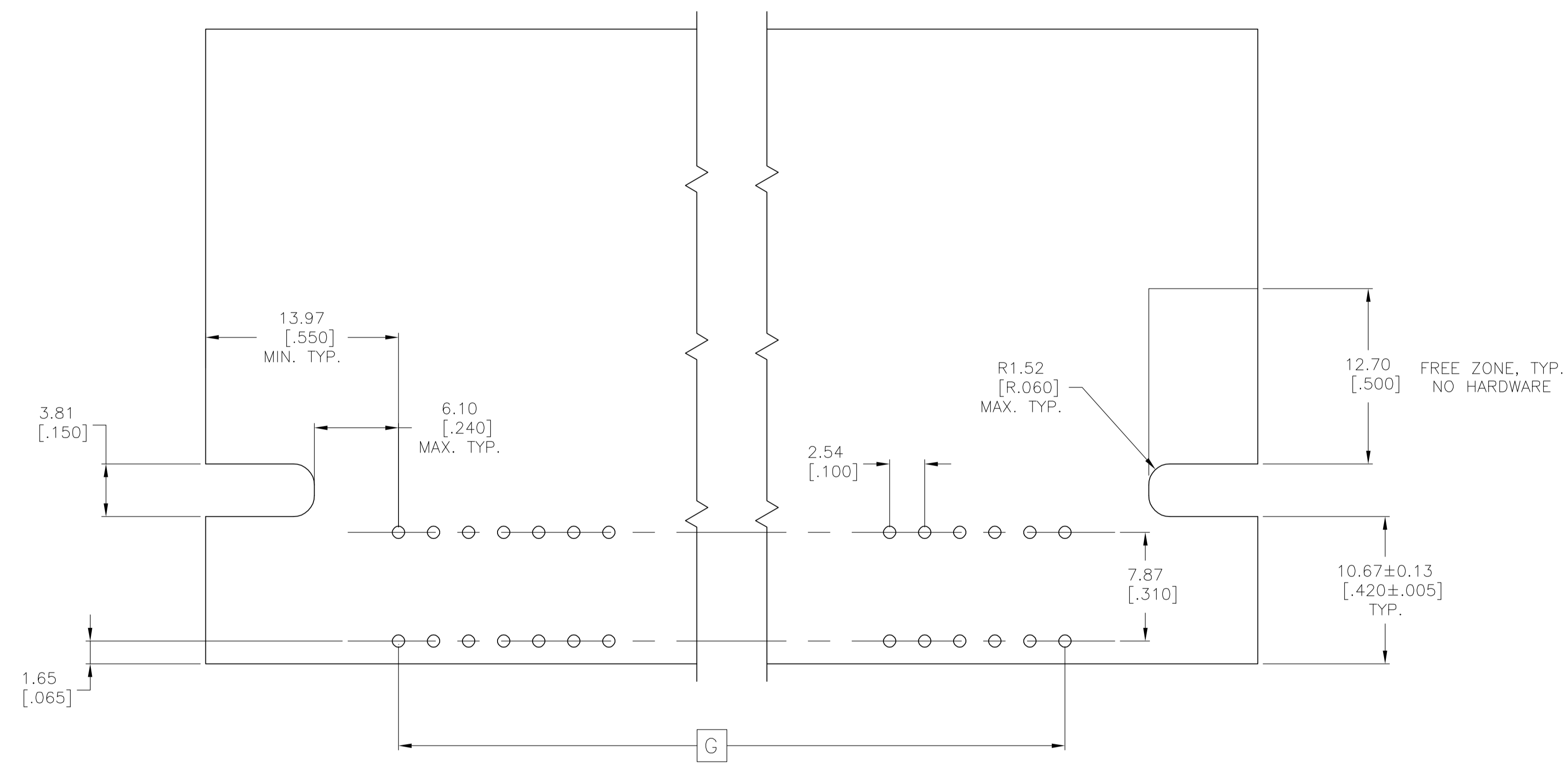
9	8	99.06 [3.900]	117.73 [4.635]	108.46 [4.270]	125.73 [4.950]	109.22 [4.300]	99.06 [3.900]	39	80	5-146205-4
9	8	35.56 [1.400]	54.23 [2.135]	44.96 [1.770]	62.23 [2.450]	45.72 [1.800]	35.56 [1.400]	14	30	5-146205-1
7	2	99.06 [3.900]	117.73 [4.635]	108.46 [4.270]	125.73 [4.950]	109.22 [4.300]	99.06 [3.900]	39	80	146205-4
OBS	2	-	-	-	-	-	-	-	-	146205-3
OBS	2	-	-	-	-	-	-	-	-	146205-2
	2	35.56 [1.400]	54.23 [2.135]	44.96 [1.770]	62.23 [2.450]	45.72 [1.800]	35.56 [1.400]	14	30	146205-1
	FINISH	G	F	E	D	C	B	A	NO OF POSN.	PART NUMBER

THIS DRAWING IS A CONTROLLED DOCUMENT.

DIMENSIONS: mm [INCHES]	TOLERANCES UNLESS OTHERWISE SPECIFIED:	DIN J KNAUB 11-23-94	tyco Electronics Tyco Electronics Corporation Harrisburg, Pa 17105-3608
0 PLC ± -	1 PLC ± -	CHK H PALEY 11-23-94	APVD H PALEY 11-23-94
2 PLC ± -	3 PLC ± 0.13[.005]	NAME ASSEMBLY, VRM 7 HEADER, MOD II, DOUBLE ROW, 2 PIECE, .100 X .100 CL, .025 SQ. POST, WITH BOARDLATCH	PRODUCT SPEC
4 PLC ± -	ANGLES ± -	APPLICATION SPEC	SIZE CAGE CODE DRAWING NO RESTRICTED TO
MATERIAL 5	FINISH 1 2 8	WEIGHT -	A1 00779 C=146205
CUSTOMER DRAWING		SCALE 4:1	SHEET 1 OF 2 REV G1

THIS DRAWING IS UNPUBLISHED. RELEASED FOR PUBLICATION
 © COPYRIGHT BY TYCO ELECTRONICS CORPORATION. ALL RIGHTS RESERVED.

LOC		DIST		REVISIONS			
AD	39	REV	DATE	BY	APP'D	DATE	BY
		1	SEE SHEET 1				



BOARD LAYOUT FOR LATCHING AMP 2PC. RECEPTACLE

THIS DRAWING IS A CONTROLLED DOCUMENT.		DIN J KNAUB 11-23-94		Tyco Electronics Corporation Harrisburg, Pa 17105-3608
DIMENSIONS: mm [INCHES]		CHK H PALEY 11-23-94		APVD H PALEY 11-23-94
TOLERANCES UNLESS OTHERWISE SPECIFIED:		0 PLC ± -	PRODUCT SPEC	APPLICATION SPEC
1 PLC ± -		2 PLC ± -	3 PLC ± 0.13 [.005]	4 PLC ± -
ANGLES ± -		SIZE A1 00779 C=146205		
MATERIAL FINISH		WEIGHT	CUSTOMER DRAWING	RESTRICTED TO
		SCALE 4:1	SHEET 2 OF 2	REV G1